

# Ethernet Window Entry Cable

Designed by WAVEFORM in the USA

Have questions, need help, or feel like sharing feedback? Call 1-800-761-3041, email [help@waveform.com](mailto:help@waveform.com), or book a meeting at [waveform.com/meet](https://waveform.com/meet) to chat with a Waveform Signal Specialist. We'd love to hear from you!

## What's In The Box

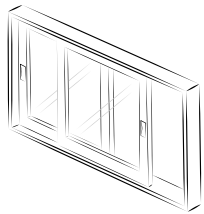
### A 1x Ethernet Window Entry Cable



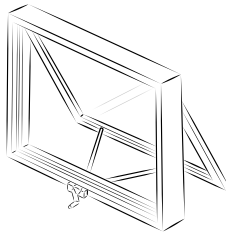
### B 4x Screws & Wall Anchors



## Compatible Window Types



Sliding\*



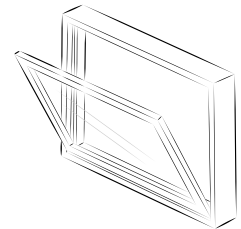
Awning



Hung

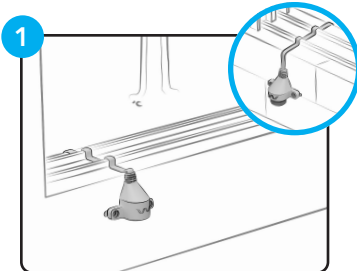


Casement

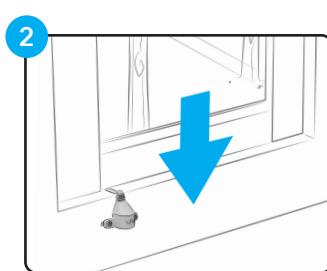


Hopper

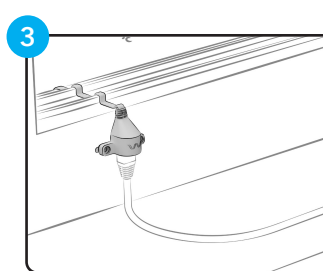
## Step 1. Connect Window Entry Cable



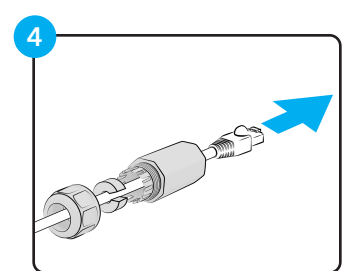
**1** Position the entry cable in the window frame, with the **outdoor enclosure outside**.



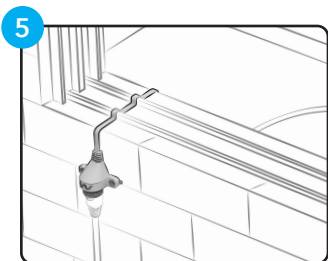
**2** Check if your window **fully closes**. *If not, reach out!*



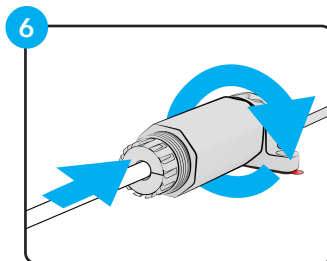
**3** Plug your **indoor ethernet cable** into the entry cable's indoor connector.



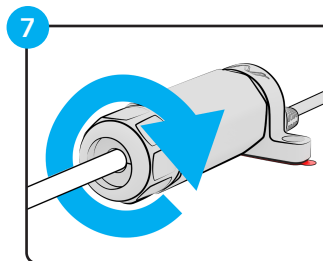
**4** Feed your outdoor ethernet cable through the entry cable **cap, seal, and tube**.



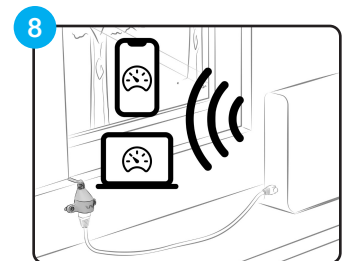
**5** Plug your **outdoor ethernet cable** into the entry cable.



**6** Fasten the **tube** onto the entry cable. Then, push the **seal** between its forks.



**7** Fasten the **cap** onto the **tube**.



**8** **Restart** your devices and perform 1-2 speed tests to test performance.

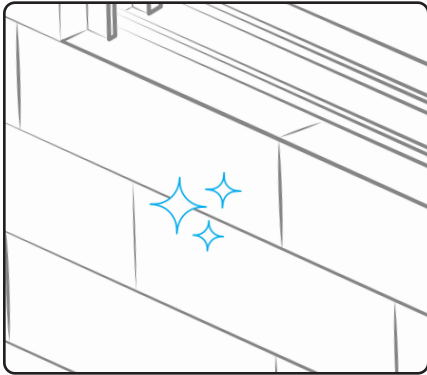
## Important Tips

- If your window has a **window-screen**, it will need to be removed or a screen passthrough will need to be installed during the installation process.
- \* For sliding windows, **do not place the cable over the sliding rails**.

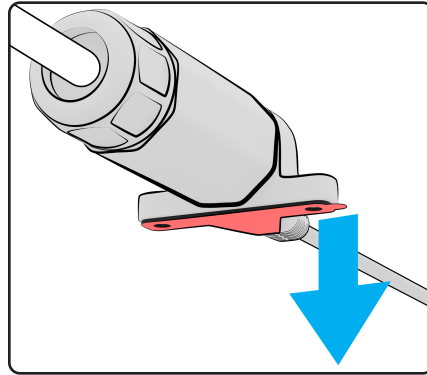
## Step 2. Mount Window Entry Cable

### A Adhesive Pads

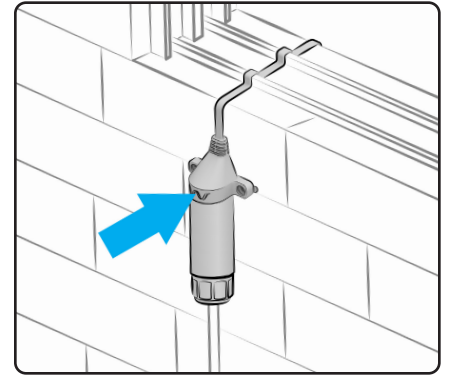
For smooth surfaces, and temporary or drill-free installs



1. **Clean and dry** the surface.



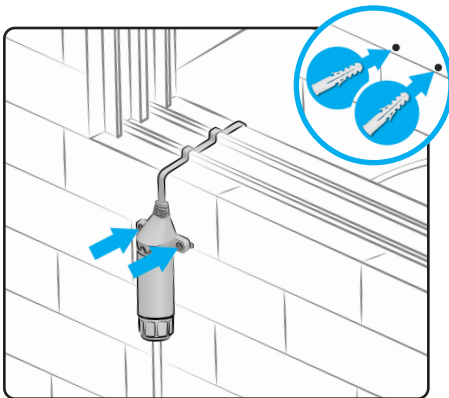
2. Remove the adhesive film.



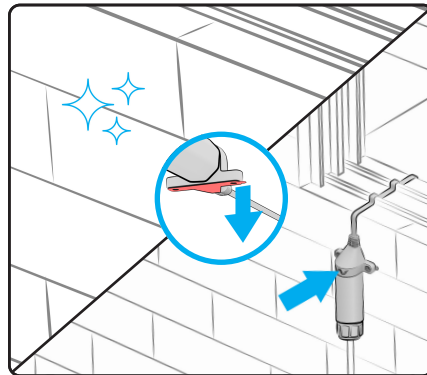
3. **Firmly press** the assembly onto the surface. Close the window, and **repeat indoors**.

### B Screws

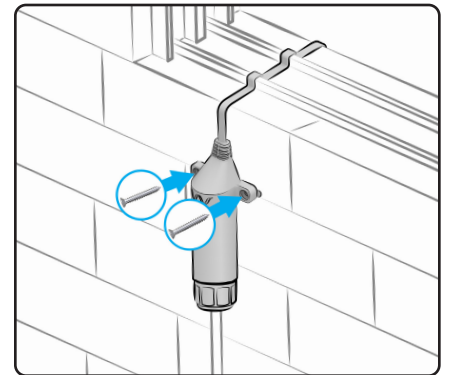
For rough or uneven surfaces, and permanent installs



1. **Position** onto the **surface**. If necessary, drill pilot holes and/or insert wall anchors.



2. For **added stability**, perform the steps described above to install the adhesive pads.



3. Use a phillips screwdriver to **install the screws**. Close the window, and **repeat indoors**.



**We get super excited to see photos of our products in action.**

Email pictures of your install to [help@waveform.com](mailto:help@waveform.com) and brighten our day!

**Questions? Suggestions? Need help? Call 1-800-761-3041, or email [help@waveform.com](mailto:help@waveform.com)**

Your Ethernet Window Entry Cable is designed, sold, and supported by Waveform and our team of Signal Specialists.

If you have any questions or feedback on how we could make this cable or manual better, **please reach out! We'd love to hear about your experience with this product!**